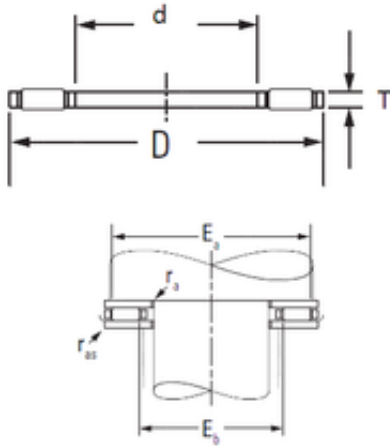




AMERICAN BEARING MFG.CORP.

Timken AXK2542 needle roller bearings



Bearing No. AXK2542

Size	25x42x2 mm
Bore Diameter	25 mm
Outer Diameter	42 mm
Width	2 mm
d	25 mm
D	42 mm
T	2 mm
ra max.	0,6 mm
Ea	41 mm
Eb	29 mm
Weight	0,007 Kg
Basic dynamic load rating (C)	14,3 kN
Basic static load rating (C0)	56,8 kN

AXK2542 Bearing 2D drawings and 3D CAD models