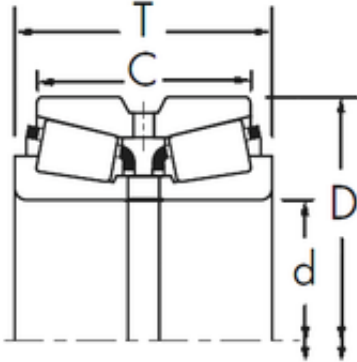




## AMERICAN BEARING MFG.CORP.

Timken 29688/29622D+X1S-29688 tapered roller bearings

Bearing No. 29688/29622D+X1S-29688



29688/29622D+X1S-29688 Bearing 2D drawings and 3D CAD models

Size	73.817x114.287x58.738 mm
Bore Diameter	73,817 mm
Outer Diameter	114,287 mm
Width	58,738 mm
d	73,817 mm
D	114,287 mm
T	58,738 mm
C	46,038 mm
R	1,5 mm
r	0,8 mm