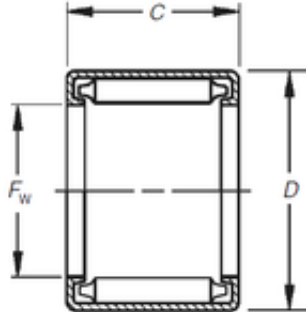




AMERICAN BEARING MFG.CORP.

Timken BH-59 needle roller bearings



Bearing No. BH-59

Size	7.938x14.288x14.27 mm
Bore Diameter	7,938 mm
Outer Diameter	14,288 mm
Width	14,27 mm
Fw	7,938 mm
D	14,288 mm
C	14,27 mm
Weight	0,009 Kg
Basic dynamic load rating (C)	9,47 kN
Basic static load rating (C0)	10,8 kN
(Grease) Lubrication Speed	7500 r/min

BH-59 Bearing 2D drawings and 3D CAD models