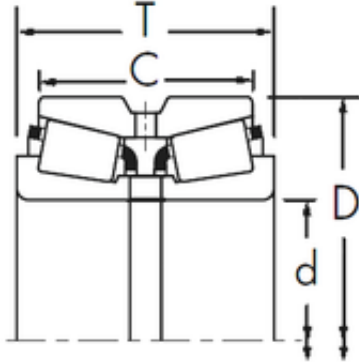




# AMERICAN BEARING MFG.CORP.

Timken 66212/66462D+X1S-66212 tapered roller bearings

Bearing No. 66212/66462D+X1S-66212



66212/66462D+X1S-66212 Bearing 2D drawings and 3D CAD models

Size	53.975x117.475x73.025 mm
Bore Diameter	53,975 mm
Outer Diameter	117,475 mm
Width	73,025 mm
d	53,975 mm
D	117,475 mm
T	73,025 mm
C	53,975 mm
R	3,5 mm
r	0,8 mm