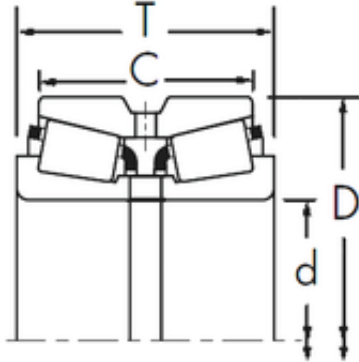




# AMERICAN BEARING MFG.CORP.

## Timken 758/752D+X2S-758 tapered roller bearings



Bearing No. 758/752D+X2S-758

|                |                           |
|----------------|---------------------------|
| Size           | 85.725x161.925x104.775 mm |
| Bore Diameter  | 85,725 mm                 |
| Outer Diameter | 161,925 mm                |
| Width          | 104,775 mm                |
| d              | 85,725 mm                 |
| D              | 161,925 mm                |
| T              | 104,775 mm                |
| C              | 85,725 mm                 |
| R              | 3,5 mm                    |
| r              | 1,5 mm                    |

758/752D+X2S-758 Bearing 2D drawings and 3D CAD models