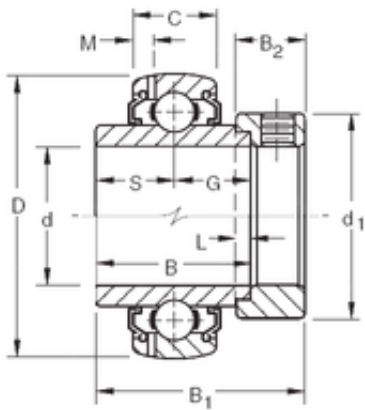




AMERICAN BEARING MFG.CORP.

47,625 mm x 90 mm x 49,21 mm Timken
G1114KLLB deep groove ball bearings



Bearing No. G1114KLLB

| | |
|----------------------------------|--------------------|
| Size | 47.625x90x49.21 mm |
| Bore Diameter | 47,625 mm |
| Outer Diameter | 90 mm |
| Width | 49,21 mm |
| d | 47,625 mm |
| D | 90 mm |
| B | 49,21 mm |
| C | 23 mm |
| d1 | 69,9 mm |
| B1 | 62,7 mm |
| B2 | 18,3 mm |
| G | 24,6 mm |
| L | 4,8 mm |
| M | 4,7 mm |
| S | 24,6 mm |
| Weight | 1,09 Kg |
| Basic dynamic load rating (C) | 39 kN |

G1114KLLB Bearing 2D drawings and 3D CAD models