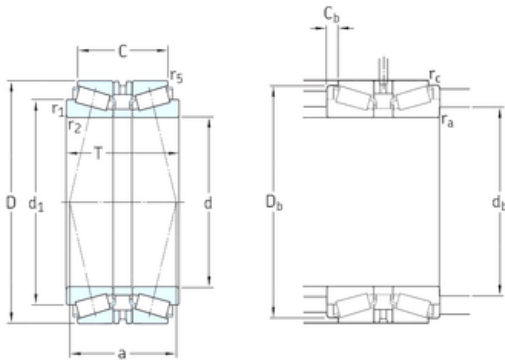




AMERICAN BEARING MFG.CORP.

SKF 32216T78J2/QDBC110 tapered roller bearings

Bearing No. 32216T78J2/QDBC110



32216T78J2/QDBC110 Bearing 2D drawings and 3D CAD models

Size	80x140x78 mm
Bore Diameter	80 mm
Outer Diameter	140 mm
Width	78 mm
d	80 mm
D	140 mm
T	78 mm
C	63,5 mm
a	68 mm
d1	106 mm
r1 min.	2,5 mm
r2 min.	2,5 mm
r5 min.	0,6 mm
Cb min.	7 mm
db min	90 mm
Db min.	134 mm
ra max.	2 mm
rc max.	0,6 mm
Weight	4,45 Kg
Basic dynamic load rating (C)	319 kN
Basic static load rating (C0)	490 kN
Fatigue load limit (Pu)	57
Reference speed	2800 r/min
Limiting speed	4500 r/min
Calculation factor (e)	0,43



AMERICAN BEARING MFG.CORP.

Calculation factor (Y0)	1,6
Calculation factor (Y1)	1,6