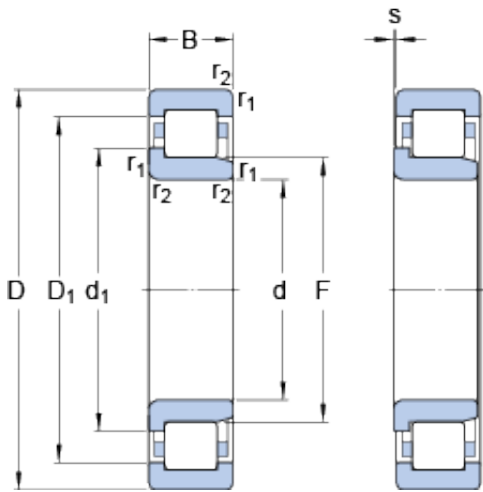




AMERICAN BEARING MFG.CORP.



750 mm x 920 mm x 78 mm SKF NJ 18/750 MA cylindrical roller bearings

Bearing No. NJ 18/750 MA

NJ 18/750 MA Bearing 2D drawings and 3D CAD models

Size	920x750x78 mm
Bore Diameter	920 mm
Outer Diameter	750 mm
Width	78 mm
d	750 mm
D	920 mm
B	78 mm
d ₁	811 mm
D ₁	863 mm
F	794 mm
r _{1,2} - min.	5 mm
s	9.2 mm
d _a - min.	770 mm
d _a - max.	784 mm
d _b - min.	815 mm
D _a - max.	900 mm
r _a - max.	4 mm
Basic dynamic load rating - C	1470 kN
Basic static load rating - C ₀	3450 kN
Fatigue load limit - P _u	228 kN
Reference speed	600 r/min
Limiting speed	800 r/min
Calculation factor - k _r	0.05
Size	920x750x78 mm



AMERICAN BEARING MFG.CORP.

Bore Diameter	920 mm
Outer Diameter	750 mm
Width	78 mm
d	750 mm
D	920 mm
B	78 mm
d ₁	811 mm
D ₁	863 mm
F	794 mm
r _{1,2} - min.	5 mm
s	9.2 mm
d _a - min.	770 mm
d _a - max.	784 mm
d _b - min.	815 mm
D _a - max.	900 mm
r _a - max.	4 mm
Basic dynamic load rating - C	1470 kN
Basic static load rating - C ₀	3450 kN
Fatigue load limit - P _u	228 kN
Reference speed	600 r/min
Limiting speed	800 r/min
Calculation factor - k _r	0.05
d ₁	811 mm
D ₁	863 mm
r _{1,2} min.	5 mm
s max.	9.2 mm
d _a min.	770 mm
d _a max.	784 mm
d _b min.	815 mm
D _a max.	900 mm
r _a max.	4 mm



AMERICAN BEARING MFG.CORP.

Basic dynamic load rating C	1470 kN
Basic static load rating C_0	3450 kN
Fatigue load limit P_u	228 kN
Calculation factor k_r	0.05
Limiting value e	0.2
Axial load factor Y	0.6
Mass bearing	115 kg