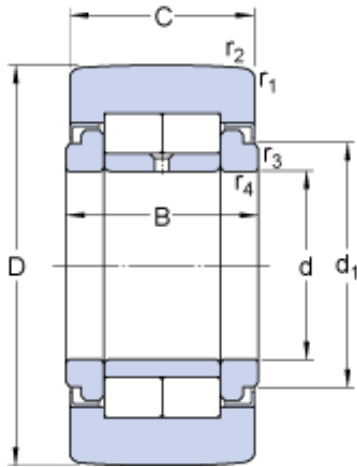




AMERICAN BEARING MFG.CORP.



45 mm x 85 mm x 32 mm SKF NUTR 45 A cylindrical roller bearings

Bearing No. NUTR 45 A

NUTR 45 A Bearing 2D drawings and 3D CAD models

Size	45x85x30 mm
Bore Diameter	45 mm
Outer Diameter	85 mm
Width	30 mm
D	85 mm
d	45 mm
C	30 mm
B	32 mm
d ₁	55.2 mm
r _{1,2} - min.	1.1 mm
r, r _{3,4} - min.	0.6 mm
Basic dynamic load rating - C	58.3 kN
Basic static load rating - C ₀	75 kN
Fatigue load limit - P _u	9.3 kN
Maximum static radial loads - F _r	32.5 kN
Maximum static radial loads - F _{0r}	46.5 kN
Limiting speed	1700 r/min
Category	Cam Follower and Track Roller - Yoke Type
Inventory	0.0
Manufacturer Name	SKF
Minimum Buy Quantity	N/A
Weight / Kilogram	0.88



AMERICAN BEARING MFG.CORP.

Product Group	B04144
Roller Surface Profile	Crowned
Profile	Yoke Type
Enclosure	Sealed
Rolling Element	Cylindrical Roller Bearing - Double Row
Relubricatable	Yes
Inch - Metric	Metric
Other Features	Full Complement With Flanged Inner Ring Labyrinth Seal
Long Description	45MM Bore; 85MM Roller Diameter; 30MM Roller Width; Crowned Roller; Yoke Type; Sealed; Cylindrical Roller Bearing - Double Row; Relubricatable
Category	Cam Followers Yoke Type
UNSPSC	31171530
Harmonized Tariff Code	8482.50.00.00
Noun	Bearing
Keyword String	Cam Follower
Manufacturer URL	http://www.skf.com
Manufacturer Item Number	NUTR 45 A
Weight / LBS	1.94
Bore	1.772 Inch 45 Millimeter
Roller Width	1.181 Inch 30 Millimeter
Roller Diameter	3.346 Inch 85 Millimeter
d_1	55.2 mm
$r_{1,2}$ min.	1.1 mm
$r, r_{3,4}$ min.	0.6 mm
Basic dynamic load rating C	58.3 kN
Basic static load rating C_0	75 kN
Fatigue load limit P_u	9.3 kN
Maximum dynamic radial	32.5 kN



AMERICAN BEARING MFG.CORP.

loads F_r max.	
Maximum static radial loads F_{0r} max.	46.5 kN
Mass support roller	0.88 kg