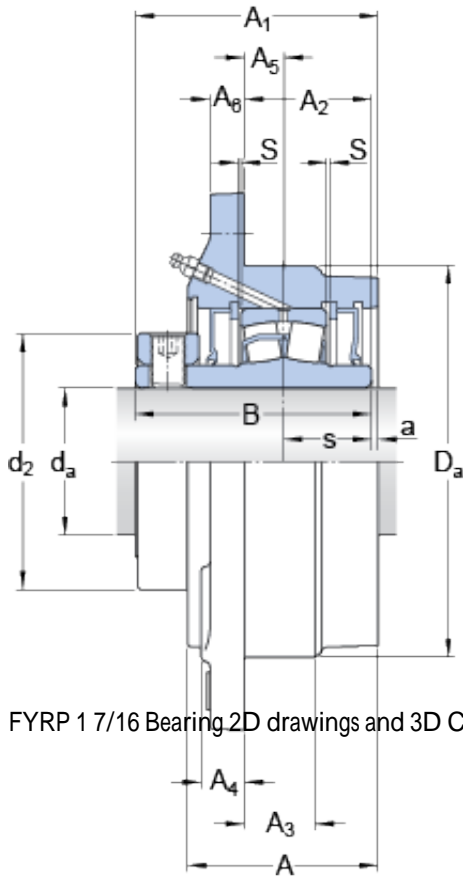




AMERICAN BEARING MFG.CORP.

SKF FYRP 1 7/16 bearing units

Bearing No. FYRP 1 7/16



FYRP 1 7/16 Bearing 2D drawings and 3D CAD models

Size	36.512x62.706x92.075 mm
Bore Diameter	36,512 mm
Outer Diameter	62,706 mm
Width	92,075 mm
d _a	36.512 mm
d ₂	62.706 mm
D _a	92.075 mm
A	57.15 mm
A ₁	72.628 mm
A ₂	35.322 mm
A ₃	19.05 mm
A ₄	18.256 mm
A ₅	10.716 mm
A ₆	12.7 mm
B	69.85 mm
a	3.572 mm
J	111.125 mm
L	133.35 mm
N ₁	11.112 mm
s	25.4 mm
S	0.794 mm
Basic dynamic load rating - C	73.8 kN
Limiting speed	5100 r/min
d _a	36.513 mm



AMERICAN BEARING MFG.CORP.

d_2	62.706 mm
D_a	92.075 mm
A_1	72.628 mm
A_2	35.322 mm
A_3	19.05 mm
A_4	18.256 mm
A_5	10.716 mm
A_6	12.7 mm
N_1	11.113 mm
Basic dynamic load rating C	73.8 kN
Mass bearing unit	2.86 kg
Attachment bolt diameter G	9.525 mm