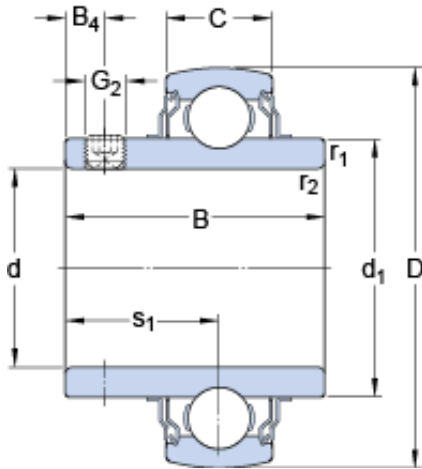




AMERICAN BEARING MFG.CORP.



40 mm x 80 mm x 49.2 mm SKF YAR
208-2FW/VA201 deep groove ball bearings

Bearing No. YAR 208-2FW/VA201

YAR 208-2FW/VA201 Bearing 2D drawings and 3D
CAD models

Size	80x40x49.2 mm
Bore Diameter	80 mm
Outer Diameter	40 mm
Width	49,2 mm
d	40 mm
D	80 mm
B	49.2 mm
C	21 mm
d ₁	51.8 mm
B ₄	8 mm
s ₁	30.2 mm
r _{1,2} - min.	1 mm
Basic dynamic load rating - C	30.7 kN
Basic static load rating - C ₀	19 kN
Limiting speed	70 r/min
Limiting temperature - T	250 ° C
Mass bearing	0.55 kg
Grub (set) screw - G ₂	M8x1
Hexagonal key size for grub screw - H	4 mm
Category	Bearings
Inventory	0.0
Manufacturer Name	SKF
Minimum Buy Quantity	N/A



AMERICAN BEARING MFG.CORP.

Weight / Kilogram	0.593
Product Group	M06110
d_1	51.8 mm
B_4	8 mm
s_1	30.2 mm
$r_{1,2}$ min.	1 mm
Basic dynamic load rating C	30.7 kN
Basic static load rating C_0	19 kN
Limiting temperature T max.	250 ° C
Grub (set) screw G_2	M8x1
Hexagonal key size for grub screw N	4 mm
Recommended tightening torque for grub screw	6.5 N · m