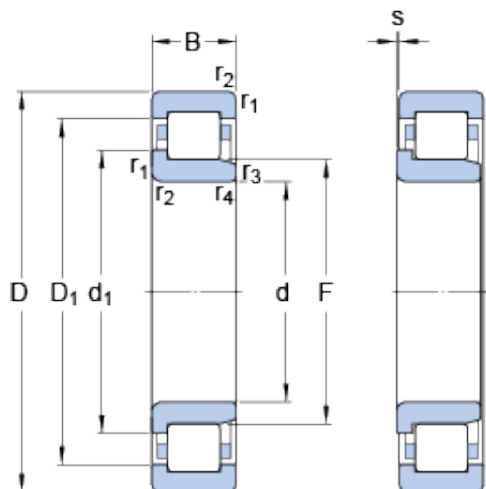




## AMERICAN BEARING MFG.CORP.



100 mm x 180 mm x 46 mm SKF NJ 2220 ECJ  
thrust ball bearings

Bearing No. NJ 2220 ECJ

Size	180x100x46 mm
Bore Diameter	180 mm
Outer Diameter	100 mm
Width	46 mm
d	100 mm
D	180 mm
B	46 mm
d <sub>1</sub>	127 mm
D <sub>1</sub>	155.6 mm
F	119 mm
r <sub>1,2</sub> - min.	2.1 mm
r <sub>3,4</sub> - min.	2.1 mm
s	2.5 mm
d <sub>a</sub> - min.	113 mm
d <sub>a</sub> - max.	116 mm
d <sub>b</sub> - min.	130 mm
D <sub>a</sub> - max.	167.5 mm
r <sub>a</sub> - max.	2 mm
Basic dynamic load rating - C	380 kN
Basic static load rating - C <sub>0</sub>	450 kN
Fatigue load limit - P <sub>u</sub>	54 kN
Reference speed	4000 r/min
Limiting speed	4500 r/min
Calculation factor - k <sub>r</sub>	0.2

NJ 2220 ECJ Bearing 2D drawings and 3D CAD models



## AMERICAN BEARING MFG.CORP.

$d_1$	127 mm
$D_1$	155.6 mm
$r_{1,2}$ min.	2.1 mm
$r_{3,4}$ min.	2.1 mm
s max.	2.5 mm
$d_a$ min.	113 mm
$d_a$ max.	116 mm
$d_b$ min.	130 mm
$D_a$ max.	167.5 mm
$r_a$ max.	2 mm
Basic dynamic load rating C	380 kN
Basic static load rating $C_0$	450 kN
Fatigue load limit $P_u$	54 kN
Calculation factor $k_r$	0.2
Limiting value e	0.3
Axial load factor Y	0.4
Mass bearing	5.3 kg