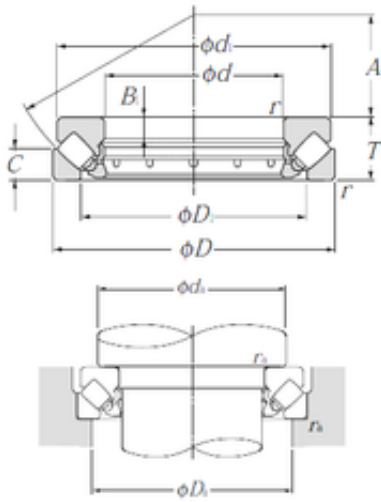




# AMERICAN BEARING MFG.CORP.



## NTN 29352 thrust roller bearings

Bearing No. 29352

Size	260x420x95 mm
Bore Diameter	260 mm
Outer Diameter	420 mm
Width	95 mm
d	260 mm
D	420 mm
T	95 mm
B1	32 mm
C	45 mm
d1	405 mm
r min.	5 mm
A	148 mm
D1	329 mm
da min.	330 mm
Da max.	365 mm
ra max.	4 mm
Weight	52 Kg
Basic dynamic load rating (C)	1 710 kN
Basic static load rating (C0)	6 800 kN
Category	Roller Bearings
Inventory	0.0
Manufacturer Name	NTN
Minimum Buy Quantity	N/A
Weight / Kilogram	51.34
EAN	4547359290790
Product Group	B04311

29352 Bearing 2D drawings and 3D CAD models



## AMERICAN BEARING MFG.CORP.

bore diameter:	260 mm
maximum rpm:	810 rpm
outside diameter:	420 mm
separable type:	Separable Bearing
overall width:	95 mm
fillet radius:	5 mm
operating temperature range:	-40 to 120 ° C
series:	293
static load capacity:	6800000 N
cage type:	Machined - Two Piece
bearing material:	Through Hardened Steel
enclosure:	Open
cage material:	Brass
manufacturer product page:	<a href="#">Click here</a>
dynamic load capacity:	1710000 N