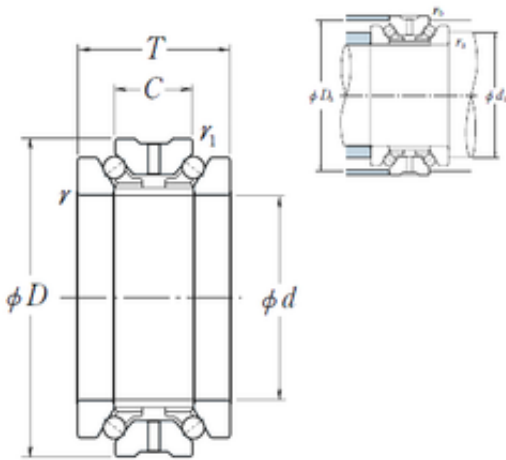




AMERICAN BEARING MFG.CORP.

NSK 120TAC29X+L thrust ball bearings

Bearing No. 120TAC29X+L



120TAC29X+L Bearing 2D drawings and 3D CAD models

Size	120x165x54 mm
Bore Diameter	120 mm
Outer Diameter	165 mm
Width	54 mm
d	120 mm
D	165 mm
T	54 mm
C	27 mm
Angle (°)	60 °
r min.	1,1 mm
r1 min.	0,6 mm
Da	157 mm
ra max.	1 mm
rb max.	0,6 mm
da	139 mm
Weight	2,94 Kg
Basic dynamic load rating (C)	66,5 kN
Basic static load rating (C0)	256 kN
(Grease) Lubrication Speed	3200 r/min