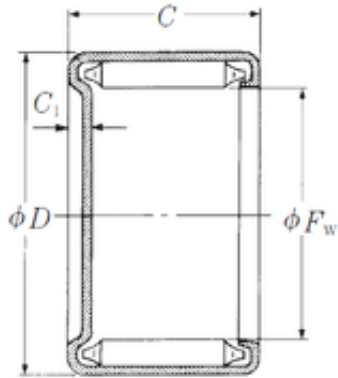




AMERICAN BEARING MFG.CORP.

NSK M-2 1/2 51 needle roller bearings



Bearing No. M-2 1/2 51

| | |
|-------------------------------|---------------------|
| Size | 3.969x7.144x7.92 mm |
| Bore Diameter | 3,969 mm |
| Outer Diameter | 7,144 mm |
| Width | 7,92 mm |
| Fw | 3,969 mm |
| D | 7,144 mm |
| C | 7,92 mm |
| C2 | 1,3 mm |
| Weight | 0,0018 Kg |
| Basic dynamic load rating (C) | 2,52 kN |

M-2 1/2 51 Bearing 2D drawings and 3D CAD models