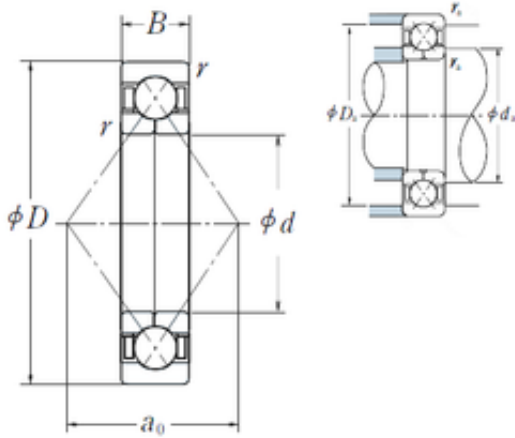




AMERICAN BEARING MFG.CORP.

80 mm x 140 mm x 26 mm NSK QJ216 angular contact ball bearings

Bearing No. QJ216



QJ216 Bearing 2D drawings and 3D CAD models

Size	80x140x26 mm
Bore Diameter	80 mm
Outer Diameter	140 mm
Width	26 mm
d	80 mm
D	140 mm
B	26 mm
C	26 mm
Angle (°)	35 °
a	77 mm
r min.	2 mm
da min.	90 mm
da max	130 mm
ra max.	2 mm
Weight	1,85 Kg
Basic dynamic load rating (C)	124 kN
Basic static load rating (C0)	236 kN
(Grease) Lubrication Speed	3 600 r/min
SRI	9.91
hidYobi	QJ216
LangID	1
ALP23	0
ALP22	0
D_	140
ALP21	35



AMERICAN BEARING MFG.CORP.

SREX	0.08
B_	26
hidTable	ecat_NSANGFP
Oil rpm	5000
C0r	24100
SRE	9.91
mass	1.85
GRS rpm	3600
ra	2
SRIX	0.08
D_a	130
Cr	12600
SRIN	0
C0	236
SREN	0
DE_	129.149
Prod_Type3	ACBB_FP_A
da	90
DA_	19.05
Z_	15
yobi	QJ216
ao	77
SDM_	110
r	2
KBRG	776
DI_	90.813