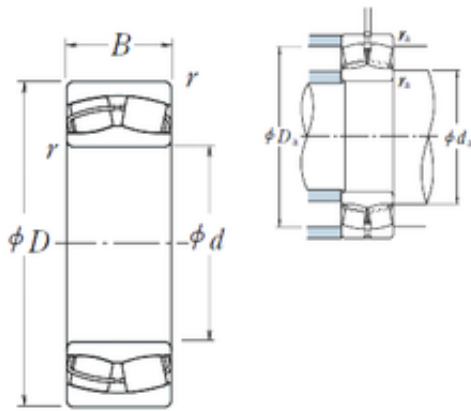




AMERICAN BEARING MFG.CORP.



100 mm x 150 mm x 50 mm NSK 24020CE4
spherical roller bearings

Bearing No. 24020CE4

24020CE4 Bearing 2D drawings and 3D CAD models

Size	100x150x50 mm
Bore Diameter	100 mm
Outer Diameter	150 mm
Width	50 mm
d	100 mm
D	150 mm
B	50 mm
C	50 mm
r min.	1,5 mm
da min.	109 mm
da max	110 mm
Da min	132 mm
Da max.	141 mm
ra max.	1,5 mm
Weight	3,08 Kg
Basic dynamic load rating (C)	276 kN
Basic static load rating (C0)	470 kN
(Grease) Lubrication Speed	1800 r/min
(Oil) Lubrication Speed	2400 r/min
Calculation factor (e)	0,3
Calculation factor (Y0)	2,2
Calculation factor (Y2)	3,4
Category	Bearings
Inventory	0.0
Manufacturer Name	NSK



AMERICAN BEARING MFG.CORP.

Minimum Buy Quantity	N/A
EAN	0029176827822
Weight / US pound	4.7
Product Group	B04311
Y3	2.3
hidYobi	24020CE4
LangID	1
Y1	2.3
D_	150
Y2	3.4
Macha rpm	0
B_	50
da min	109
hidTable	ecat_NSSPHR
Oil rpm	2400
Y0	2.2
mass	3.08
GRS rpm	1800
ra	1.5
TSR rpm	2800
C0	470
DE_	137.31
X0	1
Prod_Type3	SRB_CTB_CB
X1	1
X2	0.67
SIR	20
e	0.3
DA_	12.5
bomp	24020CE4
Z_	25
ALP2	15



AMERICAN BEARING MFG.CORP.

ALP1	11
ALP3	0
D_a max	141
D_a min	132
yobi	24020CE4
ALPHA_	0.196
SDM_	125.05
r	1.5
KBRG	2322
SBRG	40
DI_	112.79