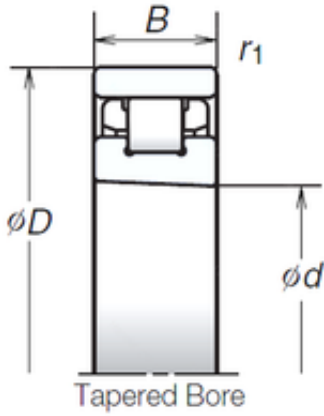




# AMERICAN BEARING MFG.CORP.



## 55 mm x 90 mm x 18 mm NSK N1011RXHTPKR cylindrical roller bearings

Bearing No. N1011RXHTPKR

Size	55x81x18 mm
Bore Diameter	55 mm
Outer Diameter	81 mm
Width	18 mm
d	55 mm
D	90 mm
E	81 mm
B	18 mm
C	18 mm
r min.	1,1 mm
r1 min.	1 mm
Weight	0,324 Kg
Basic dynamic load rating (C)	35 kN
Basic static load rating (C0)	39,5 kN
(Grease) Lubrication Speed	19 000 r/min

N1011RXHTPKR Bearing 2D drawings and 3D CAD models