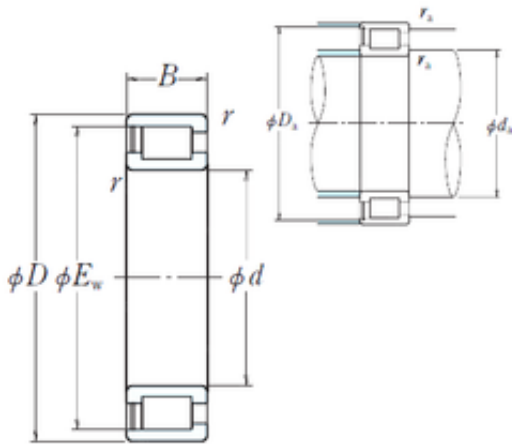




# AMERICAN BEARING MFG.CORP.

180 mm x 250 mm x 42 mm NSK NCF2936V  
cylindrical roller bearings



Bearing No. NCF2936V

Size	180x231.5x42 mm
Bore Diameter	180 mm
Outer Diameter	231,5 mm
Width	42 mm
d	180 mm
D	250 mm
Ew	231,5 mm
B	42 mm
C	42 mm
r min.	2 mm
Da	236 mm
ra max.	2 mm
da	193 mm
Weight	6 Kg
Basic dynamic load rating (C)	390 kN
Category	Bearings
Inventory	0.0
Manufacturer Name	NSK
Minimum Buy Quantity	N/A
Weight / Kilogram	6.077
Product Group	B04144

NCF2936V Bearing 2D drawings and 3D CAD models