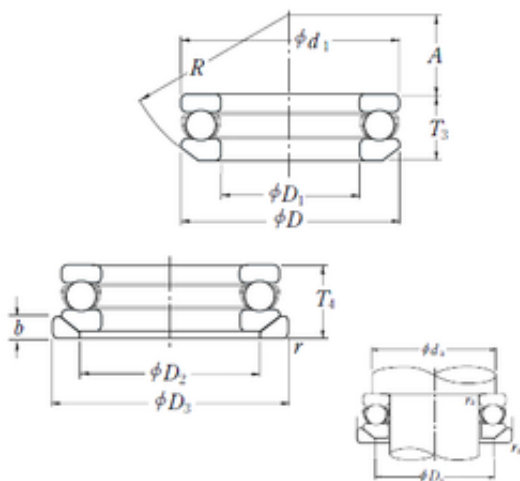




AMERICAN BEARING MFG.CORP.

NSK 53317U thrust ball bearings

Bearing No. 53317U



53317U Bearing 2D drawings and 3D CAD models

Size	85x150x58 mm
Bore Diameter	85 mm
Outer Diameter	150 mm
Width	58 mm
d	85 mm
D	150 mm
T	58 mm
b	17,5 mm
d1	150 mm
r min.	1,5 mm
A	43 mm
D1	88 mm
D2	115 mm
D3	155 mm
R	112 mm
da min.	124 mm
Da max.	111 mm
ra max.	1,5 mm
Weight	4,67 Kg
Basic dynamic load rating (C)	207 kN
Basic static load rating (C0)	490 kN
(Grease) Lubrication Speed	1100 r/min
SRI	12.9
hidYobi	53317U
LangID	1
D_	150



AMERICAN BEARING MFG.CORP.

SREX	0.08
C	207
B_	58
hidTable	ecat_NSSDTB
Oil rpm	1700
SRE	12.9
mass	4.67
GRS rpm	1100
ra	1.5
SRIX	0.08
T4	58
D_3	155
D_a	111
SRIN	0
C0	490
D_2	115
SREN	0
D_1	88
Prod_Type3	TB_SD_WASW
da	124
DA_	23.812
Z_	14
yobi	53317U
A_	43
T3	53.1
SDM_	117.5
r	1.5
KBRG	5131
R_	112