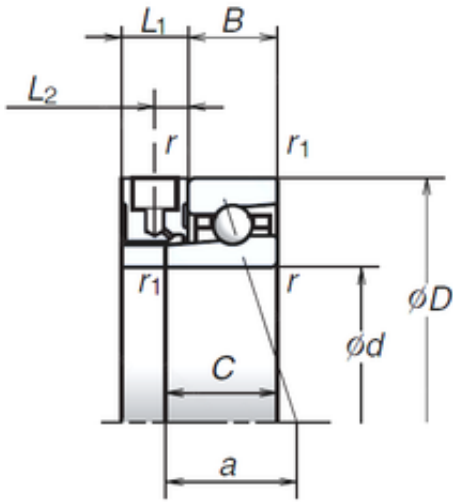




AMERICAN BEARING MFG.CORP.



65 mm x 100 mm x 18 mm NSK 65BER10XE
angular contact ball bearings

Bearing No. 65BER10XE

Size	65x100x18 mm
Bore Diameter	65 mm
Outer Diameter	100 mm
Width	18 mm
d	65 mm
D	100 mm
B	18 mm
C	23 mm
L2	7,5 mm
Angle ()	25 °
a	33 mm
r min.	1,1 mm
r1 min.	0,6 mm
L1	15 mm
Weight	0,493 Kg
Basic dynamic load rating (C)	15,5 kN
Basic static load rating (C0)	14,2 kN
(Grease) Lubrication Speed	36 400 r/min

65BER10XE Bearing 2D drawings and 3D CAD models