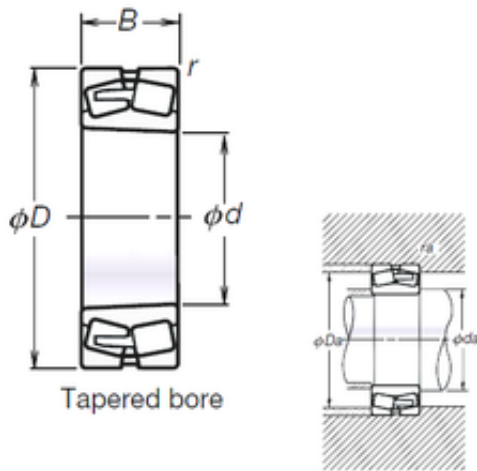




# AMERICAN BEARING MFG.CORP.



140 mm x 250 mm x 68 mm NSK  
TL22228CDKE4 spherical roller bearings

Bearing No. TL22228CDKE4

Size	140x250x68 mm
Bore Diameter	140 mm
Outer Diameter	250 mm
Width	68 mm
d	140 mm
D	250 mm
B	68 mm
C	68 mm
r min.	3 mm
da min.	154 mm
da max	167 mm
Da min	236 mm
Da max.	219 mm
ra max.	2,5 mm
Weight	14,5 Kg
Basic dynamic load rating (C)	645 kN
Basic static load rating (C0)	930 kN
(Grease) Lubrication Speed	1 400 r/min
(Oil) Lubrication Speed	1 700 r/min
Calculation factor (e)	0,25
Calculation factor (Y0)	2,6
Calculation factor (Y2)	4

TL22228CDKE4 Bearing 2D drawings and 3D CAD models