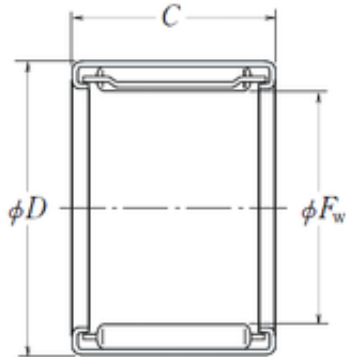




AMERICAN BEARING MFG.CORP.

NSK FJ-1716 needle roller bearings



Bearing No. FJ-1716

FJ-1716 Bearing 2D drawings and 3D CAD models

Size	17x23x16 mm
Bore Diameter	17 mm
Outer Diameter	23 mm
Width	16 mm
Fw	17 mm
D	23 mm
C	16 mm
Weight	0,014 Kg
Basic dynamic load rating (C)	12100 kN
(Grease) Lubrication Speed	12000 r/min
NB-DI	0
NA-DEX	21.667
hidYobi	FJ-1716
LangID	1
D_	23
NC-SLR	11.2
B_	16
hidTable	ecat_NSDCNR
mass_k	14
GRS rpm	12000
NC-SLR1	0
C0	15.859
C1	16
Prod_Type3	NRB_DC_FJ-MFJ_WC_OT
d	17



AMERICAN BEARING MFG.CORP.

NC-RAC	0
Pmax	7100
N-SDM	0
yobi	FJ-1716
C1_C2	1
ND-Z	17
OIL rpm	19000
NC-DA	2.327
N-KBRG	8201
NC-KMS	17