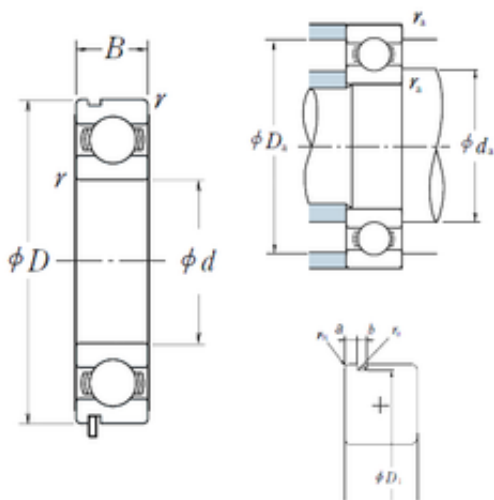




## AMERICAN BEARING MFG.CORP.

70 mm x 90 mm x 10 mm NSK 6814N deep groove ball bearings

Bearing No. 6814N



6814N Bearing 2D drawings and 3D CAD models

Size	70x90x10 mm
Bore Diameter	70 mm
Outer Diameter	90 mm
Width	10 mm
d	70 mm
D	90 mm
B	10 mm
C	10 mm
rn	0,5 mm
a	1,7 mm
b	1,3 mm
r min.	0,6 mm
r0 max.	0,4 mm
D1	87,9 mm
da min.	74 mm
da max	74,5 mm
Da max.	86 mm
ra max.	0,6 mm
Weight	0,134 Kg
Basic dynamic load rating (C)	12,1 kN
Basic static load rating (C0)	12,7 kN
(Grease) Lubrication Speed	6 700 r/min
(Oil) Lubrication Speed	8 000 r/min
SRI	2.88
hidYobi	6814N



## AMERICAN BEARING MFG.CORP.

LangID	1
ro	0.4
D_	90
SREX	0.015
B_	10
da min	74
hidTable	ecat_NS RDGB
Oil rpm	8000
SRE	2.88
mass	0.134
GRS rpm	6700
ra	0.6
SRIX	0.015
D_a	86
SRIN	-0.015
C0	12.7
fo	17.2
SREN	-0.015
DE_	85.556
Prod_Type3	DGBB_SR_N_OT
DA_	5.556
bomp	0
Z_	24
yobi	6814N
C_conv	12100
ALPHA_	0
SDM_	80
r	0.6
KBRG	6101
SBRG	18
DI_	74.444