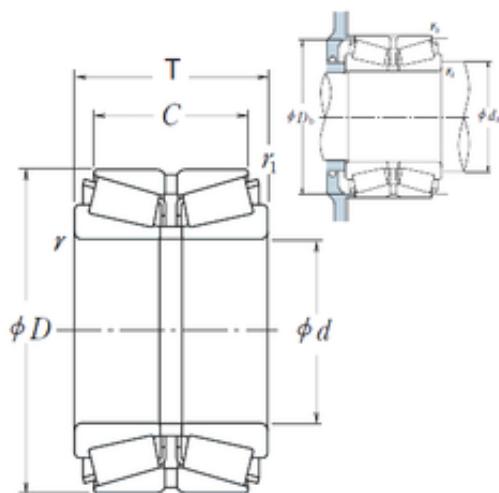




AMERICAN BEARING MFG.CORP.

NSK 170KBE2802+L tapered roller bearings



Bearing No. 170KBE2802+L

Size	170x280x150 mm
Bore Diameter	170 mm
Outer Diameter	280 mm
Width	150 mm
d	170 mm
D	280 mm
T	150 mm
C	130 mm
r min.	3 mm
r1 min.	1 mm
da min.	188 mm
Db min.	269 mm
ra max.	2,5 mm
rb max.	1 mm
Weight	34,6 Kg
Basic dynamic load rating (C)	1110 kN
Basic static load rating (C0)	2160 kN
(Grease) Lubrication Speed	1000 r/min
(Oil) Lubrication Speed	1300 r/min
Calculation factor (e)	0,39
Calculation factor (Y0)	1,7
Calculation factor (Y2)	2,6

170KBE2802+L Bearing 2D drawings and 3D CAD models