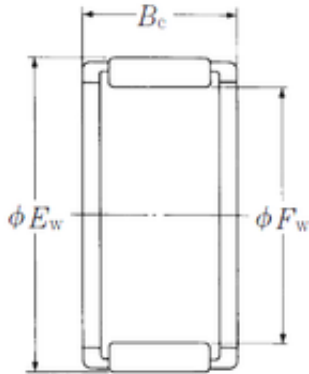




AMERICAN BEARING MFG.CORP.

NSK FWF-283516-E needle roller bearings



Bearing No. FWF-283516-E

Bore Diameter	28 mm
Outer Diameter	35 mm
Fw	28 mm
Ew	35 mm
Bc	16 mm
Weight	0,025 Kg
Basic dynamic load rating (C)	18,4 kN
hidYobi	FWF-283516-E
LangID	1
Prod_Type3	NRB_CNRA_FL
d	28
D_	35
DA_	3.5
Z_	16
C	18.4
B_	16
hidTable	ecat_NSCRA
yobi	FWF-283516-E
mass	25
SDM_	31.5
KBRG	8133
C0	23.7
SLR	11.8

FWF-283516-E Bearing 2D drawings and 3D CAD models