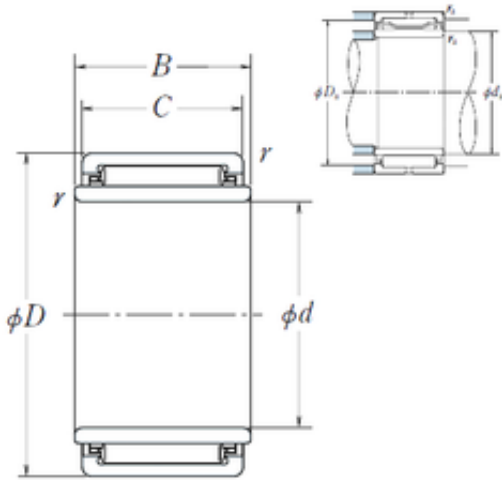




AMERICAN BEARING MFG.CORP.

32 mm x 47 mm x 30,3 mm NSK LM3730
needle roller bearings

Bearing No. LM3730



LM3730 Bearing 2D drawings and 3D CAD models

Size	32x47x30.3 mm
Bore Diameter	32 mm
Outer Diameter	47 mm
Width	30,3 mm
d	32 mm
Fw	37 mm
D	47 mm
B	30,3 mm
C	30 mm
r min.	0,6 mm
da min.	36 mm
Da max.	43 mm
ra max.	0,6 mm
Weight	0,17 Kg
Basic dynamic load rating (C)	39,5 kN
Basic static load rating (C0)	69,5 kN
(Grease) Lubrication Speed	6000 r/min
hidYobi	LM3730
LangID	1
D_	47
B_	30.3
hidTable	ecat_NSMRNR
GRS rpm	6000
ra	0.6
da_min	36



AMERICAN BEARING MFG.CORP.

d2	32
C0	69.5
C1_	30
DE_	44
SLR	23.8
Prod_Type3	NRB_S_LM
DA_	3.5
Z_	22
SI	37
yobi	LM3730
da_max	43
OIL rpm	9500
SDM_	40.5
r	0.6
KBRG	8352
mass2	0.17
B1	30.3