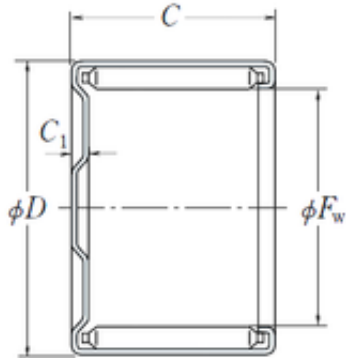




# AMERICAN BEARING MFG.CORP.

## NSK MF-1616 needle roller bearings



Bearing No. MF-1616

Size	16x22x16 mm
Bore Diameter	16 mm
Outer Diameter	22 mm
Width	16 mm
Fw	16 mm
D	22 mm
C	16 mm
C1	2,2 mm
Weight	0,02 Kg
Basic dynamic load rating (C)	14,4 kN
(Grease) Lubrication Speed	3400 r/min
NB-DI	0
NA-DEX	0
hidYobi	MF-1616
LangID	1
D_	22
NC-SLR	0
B_	16.5
n_yobi	FIR-121616
hidTable	ecat_NSDCNR
d1	12
GRS rpm	3400
ra	0.3
NC-SLR1	0
C0	24.966
Prod_Type3	NRB_DC_F-MF_FC_CT

MF-1616 Bearing 2D drawings and 3D CAD models



## AMERICAN BEARING MFG.CORP.

da	14
d	12
NC-RAC	0
Pmax	11100
N-SDM	0
yobi	MF-1616
C1_C2	2.2
ND-Z	0
OIL rpm	5300
NC-DA	0
mass_i	20
NC-KMS	0
B1	16.5