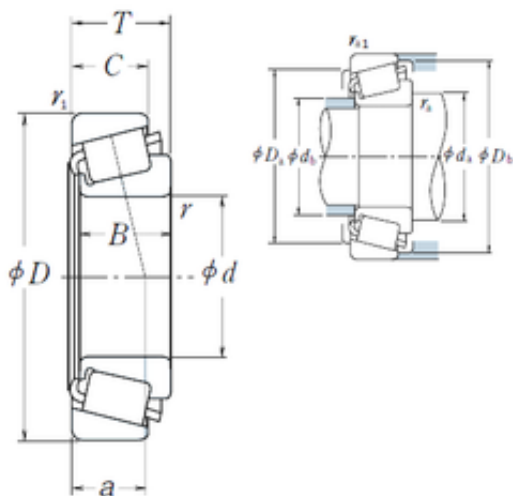




AMERICAN BEARING MFG.CORP.



41,275 mm x 93,662 mm x 31,75 mm NSK
46162/46368 tapered roller bearings

Bearing No. 46162/46368

Size	41.275x93.662x31.75 mm
Bore Diameter	41,275 mm
Outer Diameter	93,662 mm
Width	31,75 mm
d	41,275 mm
D	93,662 mm
T	31,75 mm
B	31,75 mm
C	26,195 mm
ra1 max.	3,3 mm
a	24 mm
r min.	0,8 mm
r1 min.	3,3 mm
Da	79 mm
db	51 mm
ra max.	0,8 mm
da	52 mm
Db	87 mm
Weight	1,1 Kg
Basic dynamic load rating (C)	110 kN
Basic static load rating (C0)	142 kN
(Grease) Lubrication Speed	4000 r/min
(Oil) Lubrication Speed	5600 r/min
Calculation factor (e)	0,4
Calculation factor (Y0)	0,82

46162/46368 Bearing 2D drawings and 3D CAD models



AMERICAN BEARING MFG.CORP.

LangID	1
ALP23	0
outer r	3.3
ALP22	0
D_	93.662
ALP21	30
SHOG_yobi	46162R/46368R
RAr	163.855
inner r	0.8
GRS rpm	4000
D_b	87
D_a	79
DE_	78.701
SLR	22.88
Prod_Type3	TRBSR_ID_A
BETA_	2
ALPHA_	15
SDM_	68.572
DA1	11.436
DA2	9.846
hidYobi	46162/46368
Y1	1.5
B_	31.75
Oil rpm	5600
hidTable	ecat_NSTPRI
Y0	0.82
inner ra	0.8
outer rb	3.3
C0	142
CUP	0.405
e	0.4
DA_	10.645



AMERICAN BEARING MFG.CORP.

BET21	4
BET22	0
BET23	0
Z_	17
C_	26.195
yobi	46162/46368
KBRG	3161
CONE	0.695
DI_	58.123