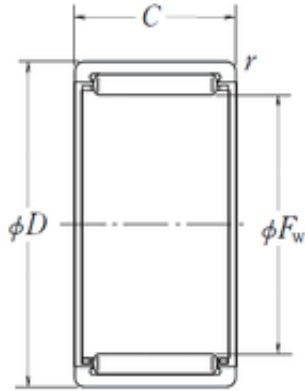




AMERICAN BEARING MFG.CORP.

NSK RLM1620 needle roller bearings



Bearing No. RLM1620

Size	16x24x20 mm
Bore Diameter	16 mm
Outer Diameter	24 mm
Width	20 mm
Fw	16 mm
D	24 mm
C	20 mm
r min.	0,3 mm
Weight	0,027 Kg
Basic dynamic load rating (C)	16,5 kN
Basic static load rating (C0)	19,5 kN
(Grease) Lubrication Speed	13000 r/min
hidYobi	RLM1620
LangID	1
D_	24
B_	20
hidTable	ecat_NSMRNR
GRS rpm	13000
ra	0.3
C0	19.5
C1_	20
DE_	22
SLR	15.8
Prod_Type3	NRB_S_RLM
d	16
DA_	3

RLM1620 Bearing 2D drawings and 3D CAD models



AMERICAN BEARING MFG.CORP.

Z_	12
SI	0
yobi	RLM1620
da_max	22
OIL rpm	22000
SDM_	19
r	0.3
KBRG	8312
mass1	0.027