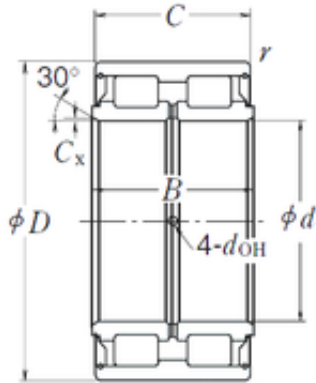




AMERICAN BEARING MFG.CORP.

340 mm x 520 mm x 243 mm NSK RS-5068
cylindrical roller bearings



Bearing No. RS-5068

RS-5068 Bearing 2D drawings and 3D CAD models

Size	340x520x243 mm
Bore Diameter	340 mm
Outer Diameter	520 mm
Width	243 mm
d	340 mm
D	520 mm
B	243 mm
C	241 mm
r min.	2 mm
C2	2,1 mm
Weight	185 Kg
Basic dynamic load rating (C)	3350 kN
Basic static load rating (C0)	7550 kN
hidYobi	RS-5068
LangID	1
D_	520
B_	243
hidTable	ecat_NSCLDRSG
Cx	2.1
mass	185
GRS rpm	260
da_min	352
C0	7550
DE_	478
Prod_Type3	CRB_FRFS_PT_WOLR



AMERICAN BEARING MFG.CORP.

DA_	45
Z_	30
r_min	2
yobi	RS-5068
SDM_	433
r	241
KBRG	4220
DI_	388
doh	10