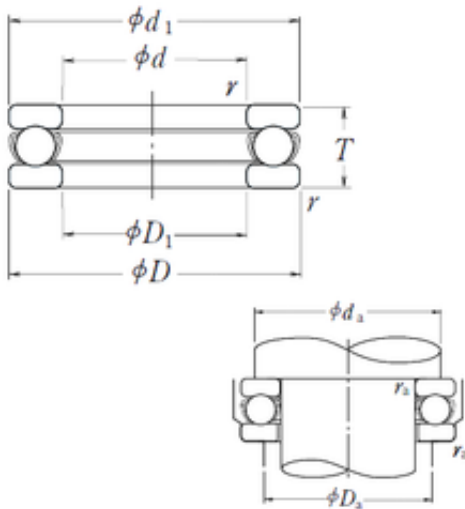




# AMERICAN BEARING MFG.CORP.



## NSK 51105 thrust ball bearings

Bearing No. 51105

Size	25x42x11 mm
Bore Diameter	25 mm
Outer Diameter	42 mm
Width	11 mm
d	25 mm
D	42 mm
T	11 mm
d1	42 mm
r min.	0,6 mm
D1	26 mm
da min.	35 mm
Da max.	32 mm
ra max.	0,6 mm
Weight	0,056 Kg
Basic dynamic load rating (C)	19,7 kN
Basic static load rating (C0)	37 kN
(Grease) Lubrication Speed	4800 r/min
Category	Thrust Ball Bearing
Inventory	0.0
Manufacturer Name	NSK
Minimum Buy Quantity	N/A
Weight / Kilogram	0.05
EAN	0029176026409
Product Group	B00308
Rolling Element	Ball Bearing
Thrust Bearing	Yes

51105 Bearing 2D drawings and 3D CAD models



## AMERICAN BEARING MFG.CORP.

Single or Double Direction	Single Direction
Banded	No
Cage Material	Steel
Precision Class	Non-Precision
Component Description	Roller Assembly Plus Raceways
Other Features	Single Row   With Flat Seat
Long Description	25MM Bore 1; 26MM Bore 2; 42MM Outside Diameter; 11MM Height; Ball Bearing; Single Direction; Not Banded; Steel Cage; Non-Precision
Inch - Metric	Metric
Category	Thrust Ball Bearings
UNSPSC	31171552
Harmonized Tariff Code	8482.10.50.08
Noun	Bearing
Keyword String	Ball Thrust
Manufacturer URL	<a href="http://www.nskamericas.com">http://www.nskamericas.com</a>
Manufacturer Item Number	51105
Weight / LBS	0.12346
Overall Height with Aligning Washer	0 Inch   0 Millimeter
Bore 2	1.024 Inch   26 Millimeter
Height	0.433 Inch   11 Millimeter
Outside Diameter	1.654 Inch   42 Millimeter
Bore 1	0.984 Inch   25 Millimeter
bore diameter:	25 mm
static load capacity:	3800 kg
outside diameter:	42 mm
dynamic load capacity:	2010 kg
overall width:	11 mm



## AMERICAN BEARING MFG.CORP.

operating temperature range:	Maximum of +120 ° C
thrust bearing type:	Single-Direction
maximum rpm:	7100 RPM
outside diameter design:	Straight
cage material:	Steel
separable or banded:	Separable
fillet radius:	0.6 mm
race type:	Flat
series:	511
precision rating:	ABEC 1 (ISO Class Normal)
SRI	3.4
hidYobi	51105
LangID	1
D_	42
SREX	0.04
C	19.7
B_	11
hidTable	ecat_NSSDTB
Oil rpm	7100
SRE	3.4
mass	0.056
GRS rpm	4800
ra	0.6
SRIX	0.04
D_a	32
SRIN	0
C0	37
SREN	0
D_1	26
Prod_Type3	TB_SD_WFS
da	35



## AMERICAN BEARING MFG.CORP.

DA_	6.35
Z_	15
yobi	51105
SDM_	33.5
r	0.6
T_	11
KBRG	5111