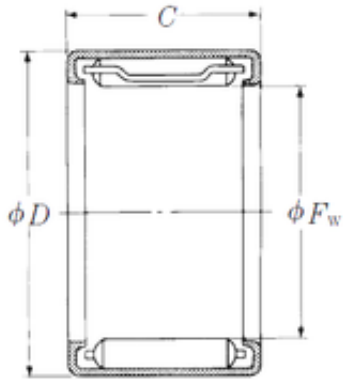




AMERICAN BEARING MFG.CORP.

NSK FJL-2210L needle roller bearings



Bearing No. FJL-2210L

Size	22x29x10 mm
Bore Diameter	22 mm
Outer Diameter	29 mm
Width	10 mm
Fw	22 mm
D	29 mm
C	10 mm
Weight	0,013 Kg
Basic dynamic load rating (C)	7,95 kN

FJL-2210L Bearing 2D drawings and 3D CAD models