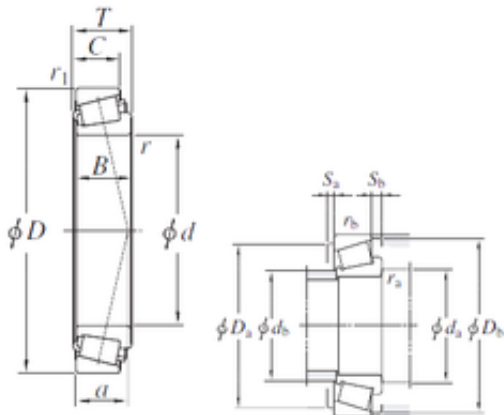




# AMERICAN BEARING MFG.CORP.

220 mm x 300 mm x 51 mm KOYO 32944JR tapered roller bearings

Bearing No. 32944JR



32944JR Bearing 2D drawings and 3D CAD models

Size	220x300x51 mm
Bore Diameter	220 mm
Outer Diameter	300 mm
Width	51 mm
d	220 mm
D	300 mm
T	51 mm
B	51 mm
C	39 mm
a	58,6 mm
r min.	3 mm
r1 min.	2,5 mm
r2 min.	2,5 mm
da min.	234 mm
da max	234 mm
Da min	275 mm
Da max.	288 mm
db max.	234 mm
Db min.	290 mm
ra max.	2,5 mm
rb max.	2 mm
Db	290 mm
Weight	10,1 Kg
Basic dynamic load rating (C)	498 kN
Basic static load rating (C0)	1010 kN



## AMERICAN BEARING MFG.CORP.

(Grease) Lubrication Speed	1000 r/min
(Oil) Lubrication Speed	1400 r/min
Calculation factor (e)	0,43
Calculation factor (Y0)	0,78
Bearing No.	32944JR
r(min)	3
r1(min)	2.5
Cr	621
C0r	1010
Cu	112
Grease lub.	1000
Oil lub.	1400
a	58.6 mm
da(min)	234
db(max)	234
Da(max)	288
Da(min)	275
Db(min)	290
Sa(min)	9
Sb(min)	12
ra(max)	2.5
rb(max)	2
e	0.43
Y1	1.41
Y0	0.78
(Refer.)Mass(kg)	10.1