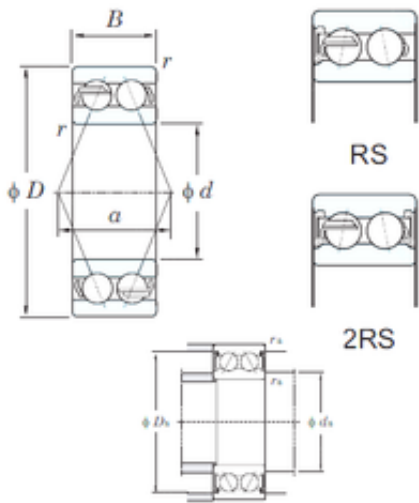




AMERICAN BEARING MFG.CORP.



30 mm x 62 mm x 23.8 mm KOYO 5206-2RS
angular contact ball bearings

Bearing No. 5206-2RS

Size	30x62x23.8 mm
Bore Diameter	30 mm
Outer Diameter	62 mm
Width	23.8 mm
d	30 mm
D	62 mm
B	23.8 mm
C	23.8 mm
a	30.8 mm
r min.	1 mm
da min.	35.5 mm
da max	38.6 mm
Da max.	56.5 mm
ra max.	1 mm
Weight	0.290 Kg
Basic dynamic load rating (C)	25.4 kN
Basic static load rating (C0)	18.3 kN

5206-2RS Bearing 2D drawings and 3D CAD models