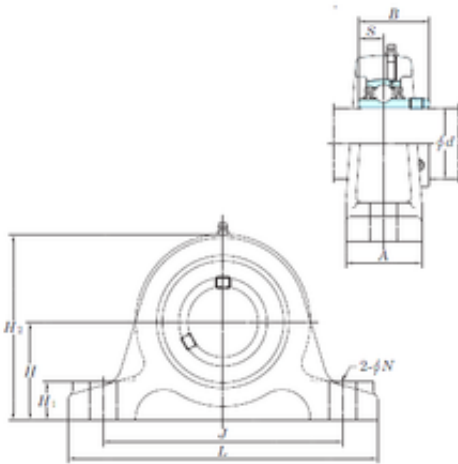




# AMERICAN BEARING MFG.CORP.

## KOYO UCIP319 bearing units

Bearing No. UCIP319



UCIP319 Bearing 2D drawings and 3D CAD models

Bore Diameter	95 mm
Width	103 mm
d	95 mm
A	85 mm
B	103 mm
H	150 mm
H1	45 mm
H2	285 mm
J	340 mm
L	410 mm
N	29 mm
S	41 mm
Bolt (G)	M27
Weight	31,7 Kg
Basic dynamic load rating (C)	153 kN
Basic static load rating (C0)	119 kN
Bearing No.	UCIP319
Bolt size	M27
Cr	153
C0r	119
f0	13.3
(Refer.) Unit mass(kg)	31.7
Nipple size	R1/8