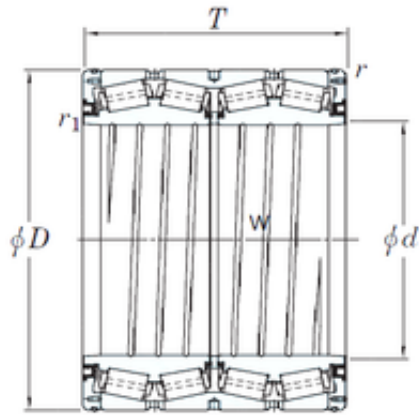




AMERICAN BEARING MFG.CORP.

KOYO 4TRS530A tapered roller bearings



Bearing No. 4TRS530A

Size	530x715x590 mm
Bore Diameter	530 mm
Outer Diameter	715 mm
Width	590 mm
d	530 mm
D	715 mm
T	590 mm
r min.	5 mm
r1 min.	1,5 mm
W	590 mm
Weight	664 Kg
Basic dynamic load rating (C)	10300 kN
Basic static load rating (C0)	28900 kN
Calculation factor (e)	0,26
Calculation factor (Y2)	2,55

4TRS530A Bearing 2D drawings and 3D CAD models