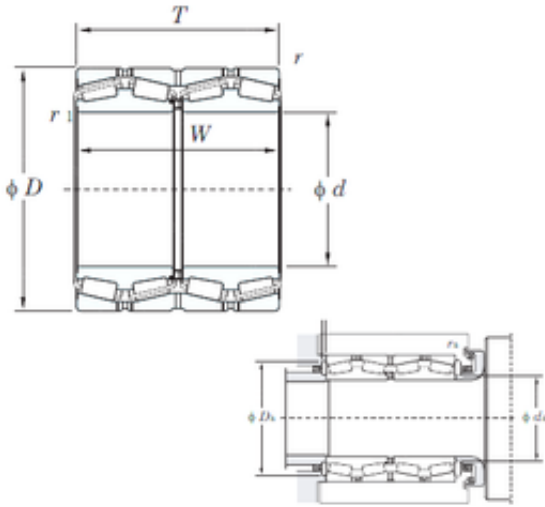




AMERICAN BEARING MFG.CORP.

KOYO 47344 tapered roller bearings

Bearing No. 47344



47344 Bearing 2D drawings and 3D CAD models

Size	220x370x250 mm
Bore Diameter	220 mm
Outer Diameter	370 mm
Width	250 mm
d	220 mm
D	370 mm
T	250 mm
r min.	4 mm
r1 min.	5 mm
S	7.5 mm
W	250 mm
da min.	263.1 mm
Da min	329.1 mm
Da max.	352 mm
ra max.	3 mm
rb max.	4 mm
Weight	106 Kg
Basic dynamic load rating (C)	2220 kN
Basic static load rating (C0)	4120 kN
Calculation factor (e)	1.95
Calculation factor (Y0)	0.35