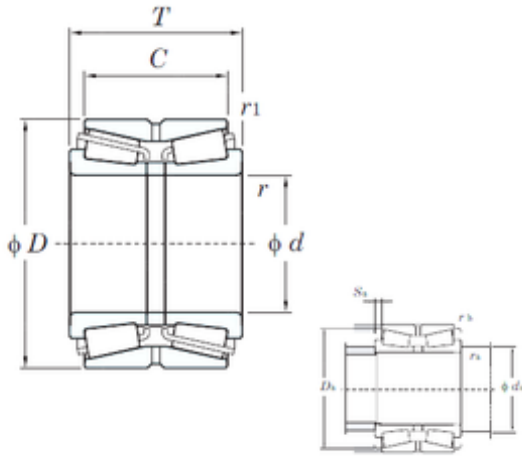




AMERICAN BEARING MFG.CORP.



KOYO 46228A tapered roller bearings

Bearing No. 46228A

Size	140x210x66 mm
Bore Diameter	140 mm
Outer Diameter	210 mm
Width	66 mm
d	140 mm
D	210 mm
T	66 mm
C	53 mm
r min.	2,5 mm
r1 min.	0,6 mm
da min.	152 mm
Da min	199 mm
ra max.	2 mm
rb max.	0,6 mm
Weight	7,18 Kg
Basic dynamic load rating (C)	360 kN
Basic static load rating (C0)	639 kN
(Grease) Lubrication Speed	1300 r/min
(Oil) Lubrication Speed	1800 r/min
Calculation factor (e)	0,47
Calculation factor (Y0)	1,4
Bearing No.	46228A
r(min)	2.5
r1(min)	0.6
Cr	452
C0r	639

46228A Bearing 2D drawings and 3D CAD models



AMERICAN BEARING MFG.CORP.

Cu	43.4
Grease lub.	1300
Oil lub.	1800
da(min)	152
Da(min)	205
Sa(min)	6.5
ra(max)	2
rb(max)	0.6
e	0.47
Y2	1.43
Y3	2.12
Y0	1.40
(Refer.)Mass(kg)	7.18