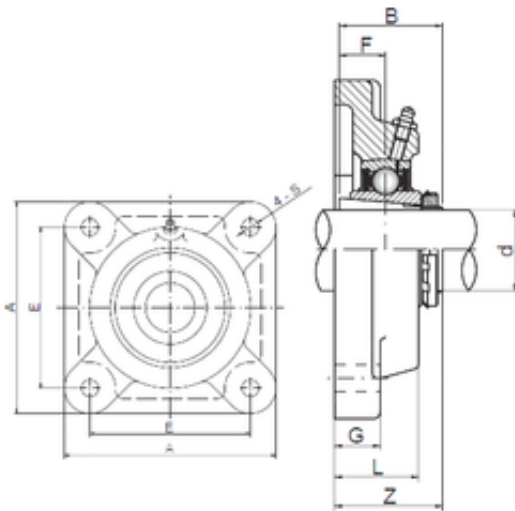




AMERICAN BEARING MFG.CORP.

ISO UKF216 bearing units

Bearing No. UKF216



UKF216 Bearing 2D drawings and 3D CAD models

Bore Diameter	70 mm
Width	78 mm
d	70 mm
Z	73,5 mm
A	208 mm
B	78 mm
E	165 mm
F	34 mm
G	22 mm
L	58 mm
S	23 mm
Bolt (G)	M20