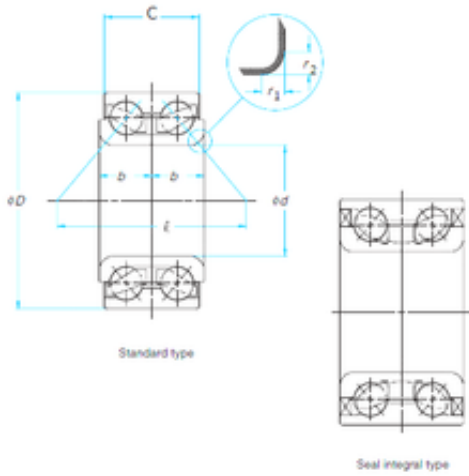




# AMERICAN BEARING MFG.CORP.

42 mm x 80 mm x 45 mm ISO DAC42800045  
angular contact ball bearings



Bearing No. DAC42800045

Size	42x80x45 mm
Bore Diameter	42 mm
Outer Diameter	80 mm
Width	45 mm
d	42 mm
D	80 mm
B	45 mm
C	45 mm

DAC42800045 Bearing 2D drawings and 3D CAD models