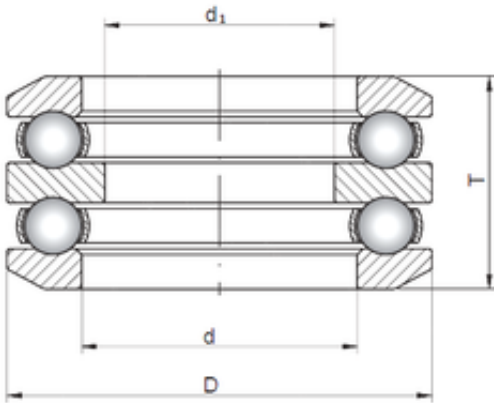




AMERICAN BEARING MFG.CORP.

ISO 54217 thrust ball bearings



Bearing No. 54217

Size	88x125x59.2 mm
Bore Diameter	88 mm
Outer Diameter	125 mm
Width	59,2 mm
d	88 mm
d1	70 mm
D	125 mm
T	59,2 mm

54217 Bearing 2D drawings and 3D CAD models