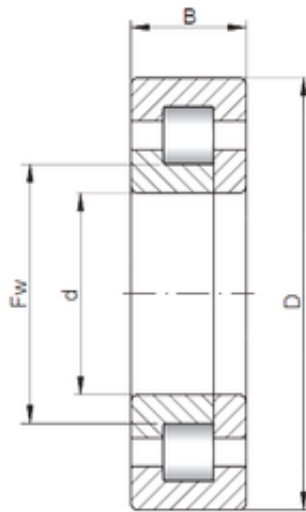




AMERICAN BEARING MFG.CORP.



95 mm x 170 mm x 55,56 mm ISO NUP5219
cylindrical roller bearings

Bearing No. NUP5219

Size	95x170x55.56 mm
Bore Diameter	95 mm
Outer Diameter	170 mm
Width	55,56 mm
d	95 mm
D	170 mm
B	55,56 mm
C	55,56 mm

NUP5219 Bearing 2D drawings and 3D CAD models